

## Specifications

LV640S (EU/CIS)

		43	49	55
DISPLAY	Type	Direct LED		Edge LED
	Resolution	1,920 x 1,080 (FHD)		
	Brightness	400cd/m <sup>2</sup>		
	Viewing Angle Degree	178° / 178°		
	Response Time	9		
BROADCASTING SYSTEM	Analog	PAL/SECAM		
	Digital	DVB-T2/C/S2		
VIDEO	Picture Engine	XD Engine		
	Real Cinema 24p (3:3 Pull down)	•		
AUDIO	Aspect Ratio	• 6 modes (16:9, Original, Full Wide, 4:3, Vertical Zoom, All-Direction Zoom)		
	Audio Output / Speaker System	10W + 10W / 2.0 ch		
	Sound Mode	• 6 modes (Standard, Cinema, Clear Voice, Sports, Music, Game)		
SMART FEATURES	Clear Voice	• (Clear Voice III)		
	Smart UX	webOS 3.5, Commercial Smart Home, Web Browser, Pre-loaded YouTube Apps, Magic Remote (Optional)		
HOSPITALITY FEATURES	Connectivity	SoftAP, WiFi, SmartShare, ScreenShare (Miracast), DIAL, Bluetooth Sound Sync		
		Hotel Mode, Lock Mode, Welcome Screen, Insert Image, One Channel Map, External Speaker Out, Content Manager, Group Manager, Crestron Connected® Certification, RTC (Real Time Clock), NTP sync timer		
GENERAL FEATURES	Installation	USB Cloning		
	Management	WOL (Wake on LAN), SNMP (Simple Network Management Protocol), TVLink Tuner, Self Diagnostics, IR Out, Multi IR Code, HDMI-CEC		
	Setting Option	Auto Off/Sleep Timer, Smart Energy Saving, Motion Eye care		
LG SOFTWARE COMPATIBILITY		Simple Editor, SuperSign™ W, SuperSign™ Link		
INTERFACE	Side	HDMI In, USB (2), CI Slot		
	Rear	RF(2), AV In, Component In (RCA5), Digital Optical Audio Out, HDMI Input (2), RGB In, RS-232C, PC Audio Input (Sharing with Component Audio), Headphone Out, RJ45 (Ethernet), External Speaker, Debug (Service)		
DIMENSION (Unit : mm)	Vesa	200 x 200	300 x 300	
	W x H x D / weight (with stand)	974 x 625 x 220 / 9.3kg	1,107 x 701 x 235 / 11.4kg	1,241 x 775 x 216 / 16.6kg
	W x H x D / weight (Packing)	1,060 x 660 x 152 / 11.3kg	1,193 x 770 x 158 / 13.5kg	1,360 x 835 x 152 / 21.3kg
POWER (Unit : Watts)	Voltage, Hz	100 - 240V, 50/60Hz		
	Max	97.0	103.0	132.0
	Typical	75.0	81.5	109.0
	Energy Saving (Min)	47.0	52.0	70.0
	Energy Saving (Med)	33.0	34.0	39.0
	Energy Saving (Max)	18.0	22.0	31.0
	Stand-by	0.3		
ECO	ErP Class	A	A+	
	On Power Consumption (Watts)	62	69	84
	Luminance Ratio (%)	65		
	Mercury Content (mg)	0		
	Presence of Lead	Yes		
STANDARD APPROVAL	Average Annual Consumption (kWh)	86	96	117
	Safety	CB, CU TR		
	Environment	CE		
	ETC	RoHS, Erp		

## Smart TV Signage

LV640S (EU/CIS)

### TV Entertainment and Advertisements on One Screen

The LV640S series is a newly launched Smart TV Signage with easier content management possible. The series is especially designed for broadcasting TV programs and delivering advertisements simultaneously via a built-in TV tuner. Furthermore, with its improved content management solutions such as Content Manager, Group Manager, and enricher content via pre-loaded YouTube App and web browser, users can efficiently and timely deliver messages / promotions.



### LV640S

- Built-in Speakers and TV Tuner
- <sup>NEW</sup> Content Manager
- <sup>NEW</sup> Group Manager
- <sup>NEW</sup> Enricher Smart Content via Pre-loaded YouTube App and web browser
- <sup>NEW</sup> Built-in WiFi
- <sup>NEW</sup> WOL (Wake on LAN) & SNMP

### screen size

43", 49", 55"



### Embedded Smart Content Management

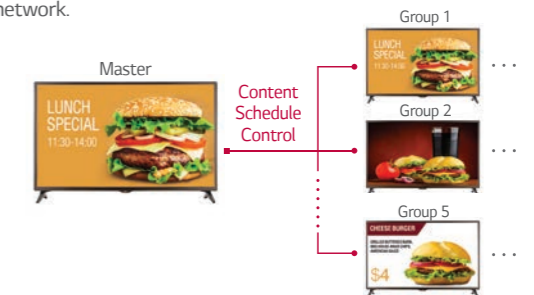
#### Content Manager

Without extra PC, content can be easily created using embedded templates and can be played according to its schedule managers set.



#### Group Manager

A Smart TV Signage itself works as a server, so without any extra device, a master TV can distribute content and set data on a selected group within the same network.



### Compatible LG SW for Smart TV Signage

The compatible LG SW for Smart TV Signage includes Simple Editor, SuperSign™ Link, and SuperSign™ W to provide digital media editing, scheduling, distribution and management capabilities.

#### Simple Editor Editor Software

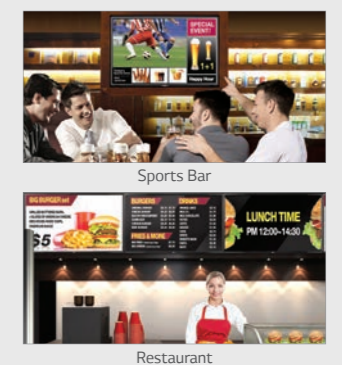
- Free Version
- Creation with embedded templates (142 templates, 100 stickers)
- Content scheduling and direct distribution via USB

#### SUPERSIGN™ Link Monitor and Control

- Licensed Version
- Web-based control
- Support over 3,000 Clients
- Alert via SNMP and email

#### SUPERSIGN™ W Content Management System

- Licensed Version
- Connections up to 1,000 Clients
- Multi-user account management
- Dual Content Editor in both PC Apps and web



Download LG Commercial Display Mobile App



Learn more [www.lg.com/b2b](http://www.lg.com/b2b)

YouTube [youtube.com/c/LGCommercialDisplay](https://youtube.com/c/LGCommercialDisplay)

All screen images are simulated. Dimension and weights are approximate. Design, features and specifications subject to change without notice. © Copyright 2017 LG Electronics Inc. All Rights Reserved. Pro.Centric, the "LG" logo, XD Engine are registered trademarks or trademarks of LG Electronics Inc. ProIdiom is a registered trademark of Zenith Electronics LLC. All other trademarks or registered trademarks are the property of their respective owners.



# TV Entertainment and Advertisements on One Screen

## LV640S

EU/CIS

### Smart Connectivity & Experience

#### Enriched Smart Content

Customers can easily access to various content via pre-loaded YouTube app, web browser as well as live channel.



#### Smart Share

Smart Share allows users to share content more easily and quickly. It also searches for the content they want in order to share it more easily and accurately, thereby simplifying the process of sharing between various devices.



#### Screen Share

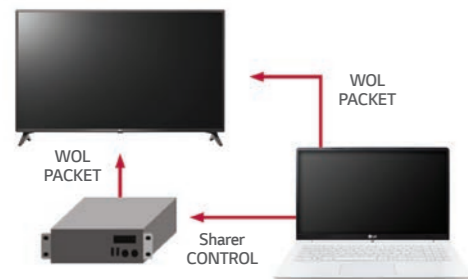
Connect a smartphone or a laptop PC to TV via a Wi-Fi Direct connection. The TV will display the device's screen, and users can share their content and memories together.



### Easy Management

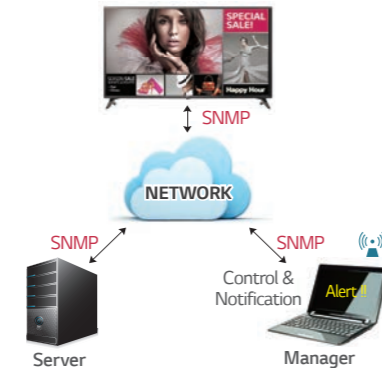
#### WOL

WOL (Wake on LAN) helps you remotely turn on TVs over the internet. Connect TVs and a PC in the same network, and send Magic Packet program to the MAC addresses of registered TVs. Then, it will wake up the TVs via LAN port.



#### SNMP

SNMP (Simple Network Management Protocol) ensures convenient network management for SI and business managers.



#### Built-in WiFi

With built-in WiFi, installation and content distribution have been simplified.



### Features

#### Fail Over (Internal Memory only)

The USB fail over function enables content to be displayed without dead spots when no input signal is available. This feature supports files in JPG format with a maximum file size of 10 MB.



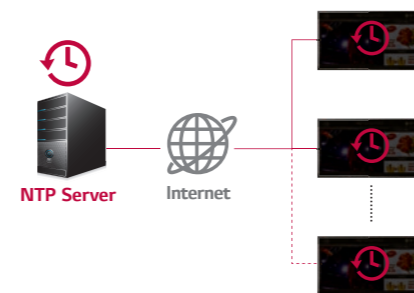
#### RTC

Save time and improve convenience with RTC (Real Time Clock). When the TV's power is off, time information is stored on the RTC module via an internal memory, and a time sync process can be omitted as the TV turns on.



#### NTP

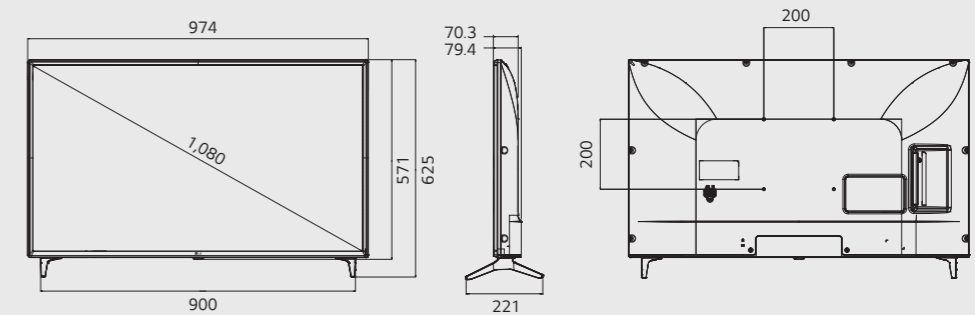
With NTP (Network Time Protocol), the TV receives real time updates from the network and synchronizes its time accordingly.



### Dimensions (With stand - Units : mm / kg)

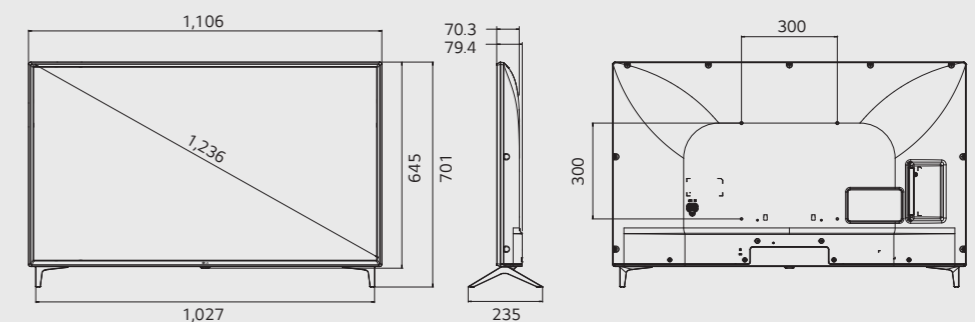
43"

974 x 625 x 221 / 9.3



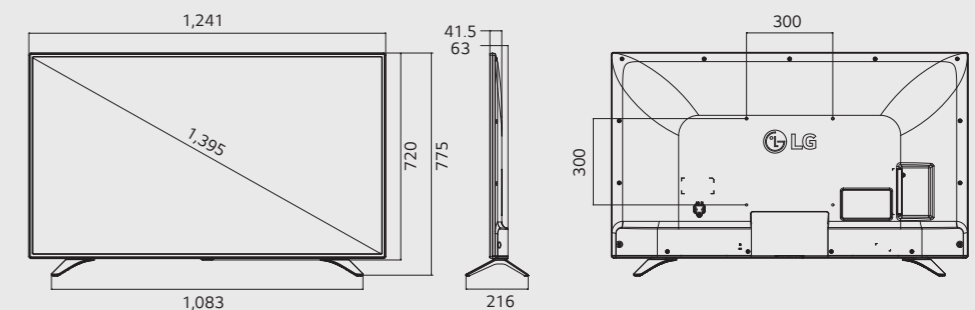
49"

1,106 x 701 x 235 / 11.4



55"

1,240 x 775 x 216 / 16.6



### Connectivity

